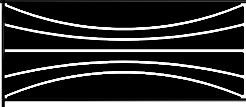


The 122939 adapter cable is designed to connect standard GaAs 5000 Series probes to a 5100 Series Gaussmeter. It has no active components and is an interconnect device only.

THIS ADAPTER CAN ADD ADDITIONAL ERROR OF 0.15% OF READING (MAX.).

NOTE: This adapter will not work for STB5X-0201 Thin Film InAs probes.

1	REF		YB-4086	ASSEMBLY
REF	QTY	ITEM NO.	DRAWING NO.	DESCRIPTION
UNLESS OTHERWISE SPECIFIED: DIMENSIONS IN INCHES (DO NOT SCALE TO DWG)		THIS DRAWING IS THE PROPERTY OF BELL TECHNOLOGIES, INC. AND MAY NOT BE COPIED, USED OR DISCLOSED FOR ANY PURPOSE EXCEPT AS AUTHORIZED IN WRITING BY BELL TECHNOLOGIES, INC.		 <b>F.W. BELL</b>
SCALE NONE	DRN 01-05-05 GG	TITLE SPECIFICATION, ADAPTER 5000 PROBE TO 5100 SERIES METER		
DEC± —	APPD 01-05-05 GH			
FRAC± —	QA APPD 01-05-05 RMB			
ANG± —	REL 01-06-05 JCR	SHT 1 OF 1	DWG NO. UA-6178	REV —