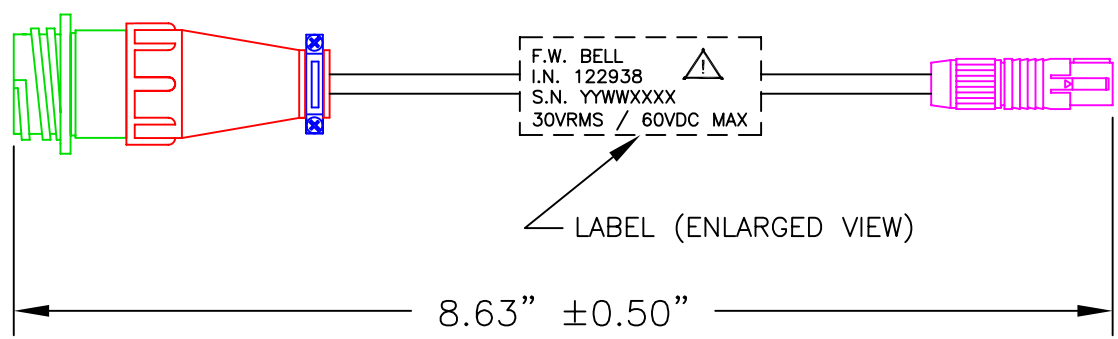


CONNECTOR MANUFACTURER: AMP INC.
CONNECTOR PART NUMBER: 206705-2
CABLE CLAMP PART NUMBER: 206966-1
PIN PART NUMBER: 66103-4

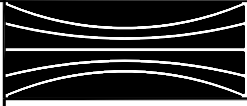
CONNECTOR MANUFACTURER: NEUTRIK
CONNECTOR HOUSING PART NUMBER: MSC
CONNECTOR INSERT PART NUMBER: MMI
CONNECTOR PIN PART NUMBER: MPS



THE ADAPTER (ITEM NUMBER 122938) IS USED TO CONNECT A 9200 GAUSSMETER PROBE TO A 6000 SERIES GAUSSMETER. IT HAS NO ACTIVE COMPONENTS AND IS DESIGNED AS AN INTERCONNECTION DEVICE ONLY.

THIS ADAPTER CAN ADD ADDITIONAL ERROR OF 0.25% OF READING (MAX.).

MAY ALSO BE USED TO ADAPT 95/9900 SERIES PROBES TO A 7000 METER.

1	REF		UB-5865	SCHEMATIC	
REF	QTY	ITEM NO.	DRAWING NO.	DESCRIPTION	
UNLESS OTHERWISE SPECIFIED: DIMENSIONS IN INCHES (DO NOT SCALE TO DWG)		THIS DRAWING IS THE PROPERTY OF BELL TECHNOLOGIES, INC. AND MAY NOT BE COPIED, USED OR DISCLOSED FOR ANY PURPOSE EXCEPT AS AUTHORIZED IN WRITING BY BELL TECHNOLOGIES, INC.		 F.W. BELL	
SCALE NONE	DRN 11-02-98	JTM	TITLE SPECIFICATION, ADAPTER 9200 PROBE TO 6000 SERIES METER		
DEC± —	APPD 11-02-98	MS			
FRAC± —	QA APPD 11-03-98	RMB	SHT 1 OF 1		DWG NO. UA-5853
ANG± —	REL 11-03-98	JTM			REV —