

6

5

4

3

2

1

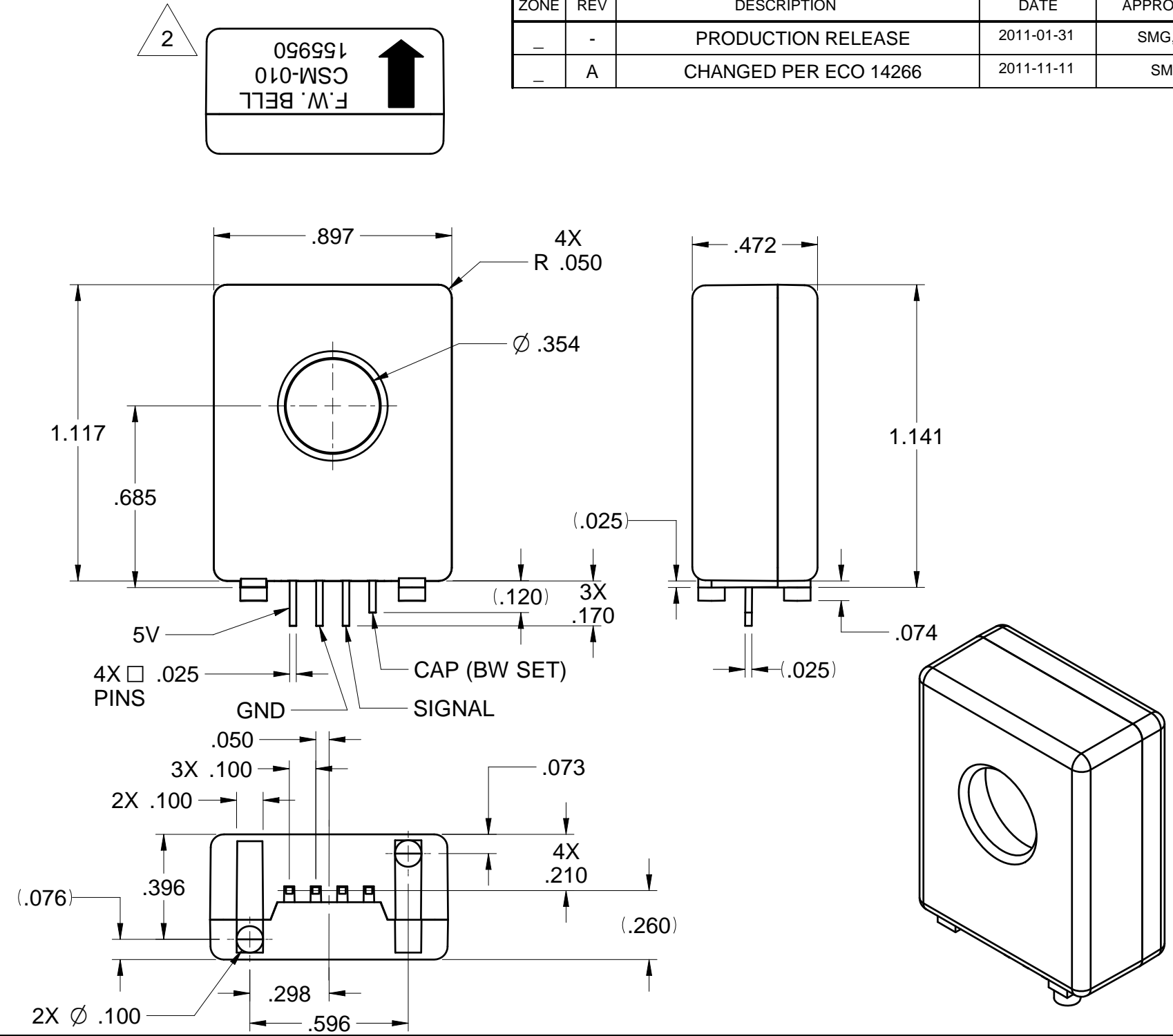
NOTES: UNLESS OTHERWISE SPECIFIED

1. INTERPRET THIS DRAWING PER ASME Y14.100.

2 ALTERNATE MARKING MAY READ "CSM-010-B"

REVISION				
ZONE	REV	DESCRIPTION	DATE	APPROVED
-	-	PRODUCTION RELEASE	2011-01-31	SMG, LP
-	A	CHANGED PER ECO 14266	2011-11-11	SMG

NOMINAL CURRENT	± 10 amps
CURRENT RANGE	± 15 amps
INPUT VOLTAGE	4.75 to 12.5 vdc
OUTPUT VOLTAGE	0.10 v/amp
OUTPUT RANGE	~ 0.5 v to ~ 4.5 v
OFFSET VOLTAGE at 0 CURRENT	2.5 vdc (± 0.5%)
LINEARITY	± 2%, 1% TYP
BANDWIDTH	DC to 50 kHz
INPUT CURRENT	10 mA TYP. 14 mA MAX
SOURCE RESISTANCE & LOADING	< 5 ohms, 2mA MAX
BIPOLAR CURRENT HYSTERESIS	< 0.05%
BASELINE NOISE @ FULL BW, NO CAP	< 5 m Vrms
FILTER CAPACITANCE (PIN 4 to GND)	10 nF – 10 kHz, 100 nF – 1.0 kHz
OPERATING TEMPERATURE	-20 to +85°C
STORAGE TEMPERATURE	-40 to +90°C
R/H	5% TO 97%
DIELECTRIC WITHSTANDING VOLTAGE	3 kVrms, 60 Hz, 1 MINUTE
WEIGHT	~0.5 OUNCES
CURRENT POLARITY: POSITIVE OUTPUT WITH CURRENT IN DIRECTION OF ARROW	
CASE MATERIAL: POLYCARBONATE / ABS BLEND, FLAME RESISTANT	



CAUTION: ELECTROSTATIC SENSITIVE DEVICE (ESDS). HANDLE USING ESDS PROCEDURES.

This document, which includes any attachments and exhibits hereto, may contain information subject to International Traffic in Arms Regulation (ITAR) or Export Administration (EAR) of 1979, which may not be exported, released, or disclosed to foreign nationals, inside or outside the United States, without first obtaining an export license.

		UNLESS OTHERWISE SPECIFIED DIMENSIONS ARE IN INCHES. TOLERANCES ARE: DECIMALS SI ANGLES .X = ±.1 ±2.54 .XX = ±.03 ±0.076 ±2° .XXX = ±.010 ±0.254 DO NOT SCALE DRAWING		CONTRACT NO. -		OECO, LLC MILWAUKIE, OR.	
		MATERIAL		DRAWN M. ROTUNDO DATE 2010-10-29		TITLE SPECIFICATION, MODEL #CSM-010 OPEN LOOP CURRENT SENSOR (155950)	
		FINISH		CHECKED S. FRANCESCHINI DATE 2011-01-31		SIZE B CAGE CODE 95266 DWG NO U1-6285 REV A	
NEXT ASSEMBLY		USED ON		ELEC ENGR L. PURVIS DATE 2011-01-31		SCALE 2/1 RLSE DATE - SHEET 1 OF 1	
APPLICATION				MECH ENGR S. GERLACH DATE 2011-01-31			
				MFG ENGR D. KAISER DATE 2011-01-31			
				QA R. GUSTINE DATE 2011-01-31			

6

5

4

3

2

1